

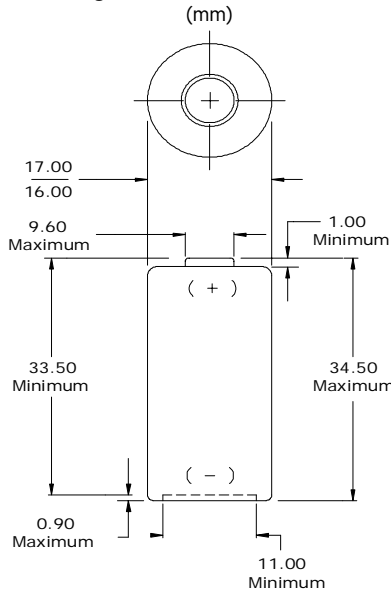
Lithium (123)



Specifications

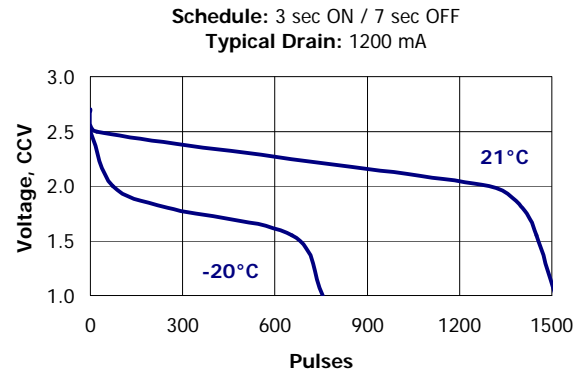
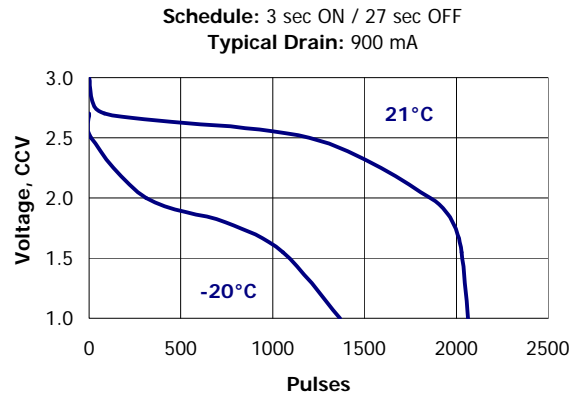
Classification: "Lithium Photo"
Chemical System: Lithium / Manganese Dioxide (Li/MnO₂)
Designation: IEC-CR17345
Nominal Voltage: 3.0 Volts
Storage Temp: -40°C to 60°C
Operating Temp: -40°C to 60°C
Typical Capacity: 1500 mAh (to 2.0 volts)
 (rated at 100 ohms at 21°C)
Typical Weight: 17 grams
Typical Volume: 7.0 cubic centimeters
Max Discharge: 1500 mA continuous (3500 mA pulse)
Max Rev Charge: 2 microampere
Typical Li Content: 0.55 grams
Shipping: For complete details, please reference:
 Global (except US): Special Provision A45 of the International
 Air Transport Association Dangerous
 Goods Regulations
 United States: 49 CFR 173.185

Industry Standard Dimensions



This battery contains a Positive Temperature Coefficient (PTC) safety device to limit current during short circuit conditions.

Typical Discharge Characteristics



Simulated Application Tests

Typical Performance at 21°C

Schedule (time)	Drain (mA)	Load (ohms)	Cutoff Voltage		
			2.0V (hours)	1.55V (pulses)	1.0V (pulses)
Continuous	---	100	60	---	---
Continuous	1000	---	1.2	---	---
3 sec ON 7 sec OFF	1200	---	---	---	1500
3 sec ON 27 sec OFF	900	---	---	2000	---

Important Notice

This data sheet contains typical information specific to products manufactured at the time of its publication.
 ©Energizer Holdings, Inc. - Contents herein do not constitute a warranty.