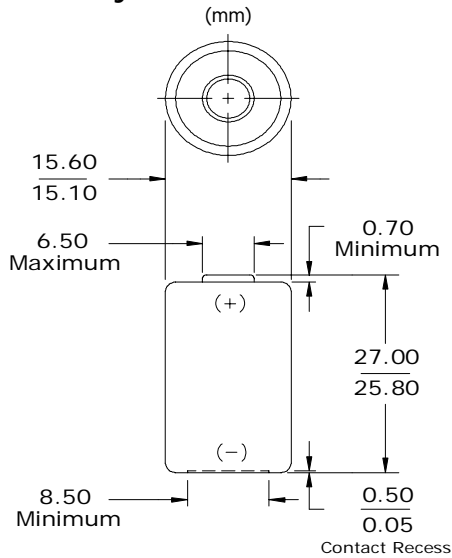


Lithium (CR2)

Photo



Industry Standard Dimensions



This battery contains a Positive Temperature Coefficient (PTC) safety device to limit current during short circuit conditions.

Simulated Application Tests

Typical Performance at 21°C

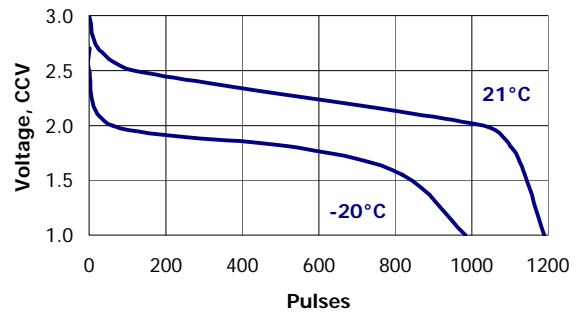
Schedule (time)	Drain (mA)	Load (ohms)	Cutoff Voltage		
			2.0V (hours)	1.55V (pulses)	1.0V (pulses)
Continuous	---	100	34	---	---
Continuous	1000	---	0.5	---	---
3 sec ON 7 sec OFF	1200	---	---	---	860
3 sec ON 27 sec OFF	900	---	---	1140	---

Specifications

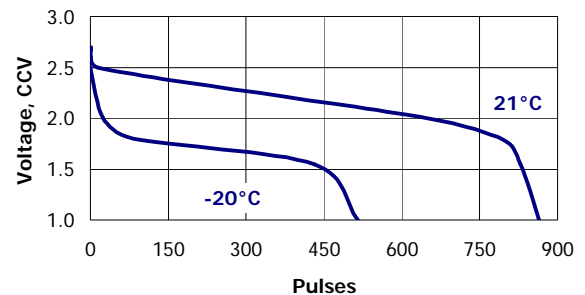
Classification: "Lithium Photo"
Chemical System: Lithium / Manganese Dioxide (Li/MnO₂)
Designation: IEC-CR2
Nominal Voltage: 3.0 Volts
Storage Temp: -40°C to 60°C
Operating Temp: -40°C to 60°C
Typical Capacity: 800 mAh (to 2.0 volts) (rated at 100 ohms at 21°C)
Typical Weight: 11 grams
Typical Volume: 5.2 cubic centimeters
Max Discharge: 1000 mA continuous (2500 mA pulse)
Max Rev Charge: 3 microampere
Typical Li Content: 0.28 grams
Shipping: For complete details, please reference:
 Global (except US): Special Provision A45 of the International Air Transport Association Dangerous Goods Regulations
 United States: 49 CFR 173.185

Typical Discharge Characteristics

Schedule: 3 sec ON / 27 sec OFF
 Typical Drain: 900 mA



Schedule: 3 sec ON / 7 sec OFF
 Typical Drain: 1200 mA



Important Notice

This data sheet contains typical information specific to products manufactured at the time of its publication.
 ©Energizer Holdings, Inc. - Contents herein do not constitute a warranty.