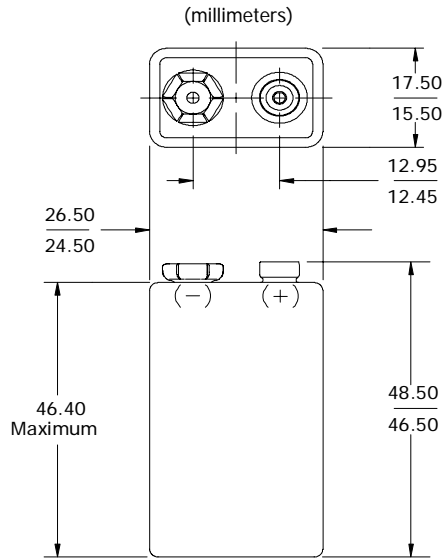


Ultra Plus (6LR61)

**9V**



Industry Standard Dimensions

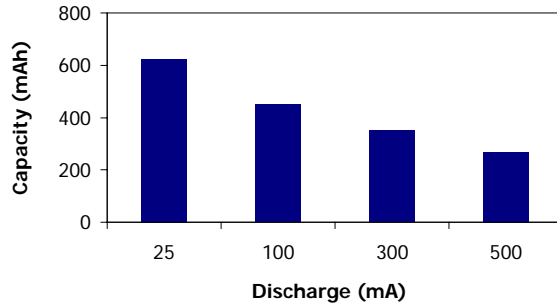


Specifications

<b>Classification:</b>	Alkaline
<b>Chemical System:</b>	Zinc-Manganese Dioxide (Zn/MnO <sub>2</sub> ) No added mercury or cadmium
<b>Designation:</b>	IEC-6LR61
<b>Nominal Voltage:</b>	1.5 volts
<b>Operating Temp:</b>	-18°C to 55°C
<b>Typical Weight:</b>	46.0 grams
<b>Typical Volume:</b>	21.0 cubic centimeters
<b>Jacket:</b>	Metal
<b>Shelf Life:</b>	5 years at 21°C (80% of initial capacity)
<b>Terminal:</b>	Miniature Snap

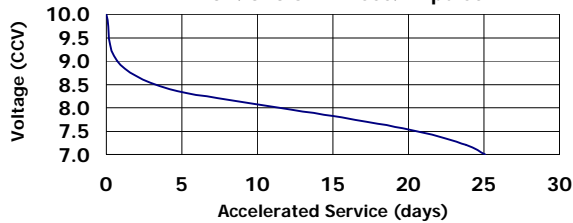
Milliamp-Hours Capacity

Continuous discharge to 4.8 volts at 21°C

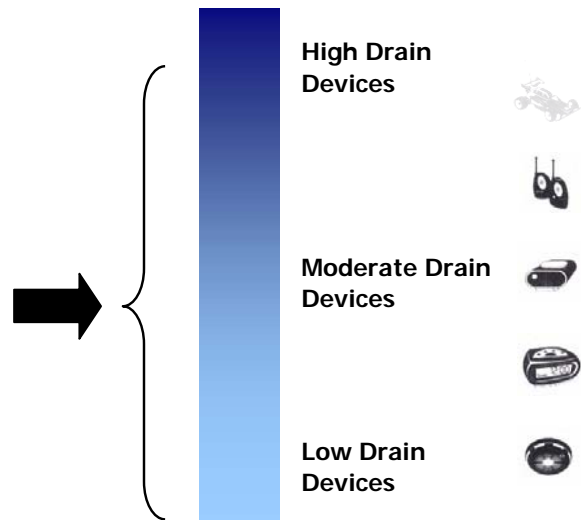


Industry Standard Testing (21°C):

ACCELERATED SMOKE DETECTOR  
10K/620 ohm 1 sec/hr pulse



Battery Selection Indicator



**Important Notice**

This datasheet contains typical information specific to products manufactured at the time of its publication.  
©Energizer Holdings, Inc. - Contents herein do not constitute a warranty.