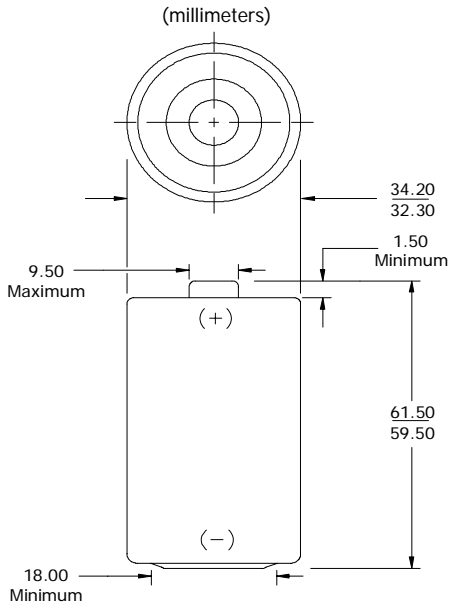


Ultra Plus (LR20)

D



Industry Standard Dimensions



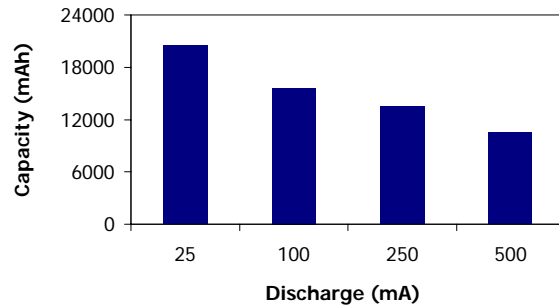
Specifications

Classification:	Alkaline
Chemical System:	Zinc-Manganese Dioxide (Zn/MnO ₂) No added mercury or cadmium
Designation:	IEC-LR20
Nominal Voltage:	1.5 volts
Nominal IR:	150 to 300 milliohms (fresh)*
Operating Temp:	-18°C to 55°C
Typical Weight:	148.0 grams
Typical Volume:	56.0 cubic centimeters
Jacket:	Plastic Label
Shelf Life:	7 years at 21°C (80% of initial capacity)
Terminal:	Flat Contact

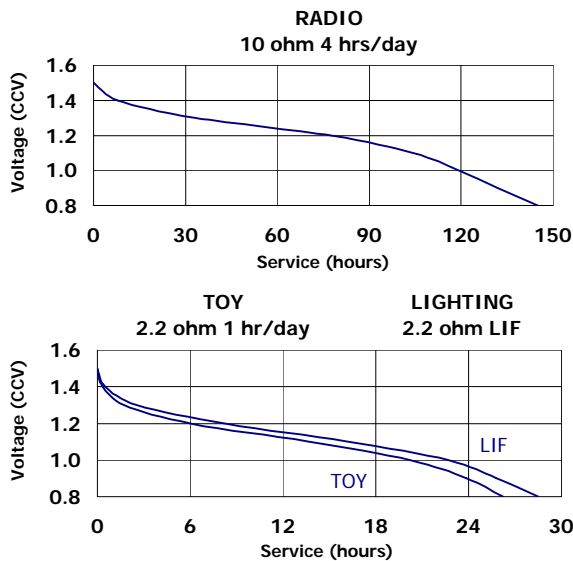
* For additional information, please reference the IR technical white paper.

Milliamp-Hours Capacity

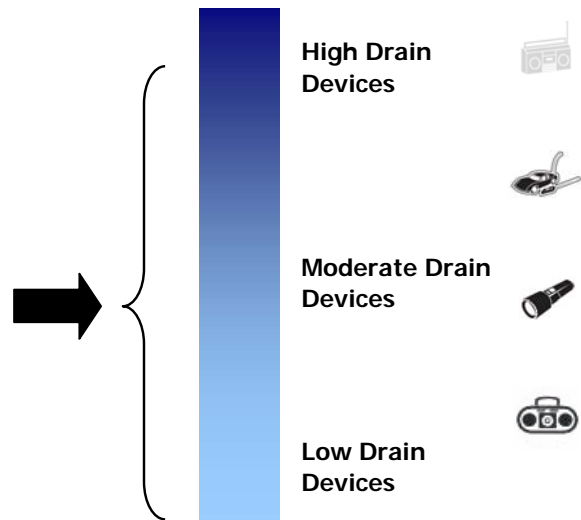
Continuous discharge to 0.8 volts at 21°C



Industry Standard Testing (21°C):



Battery Selection Indicator



Important Notice

This datasheet contains typical information specific to products manufactured at the time of its publication.
©Energizer Holdings, Inc. - Contents herein do not constitute a warranty.